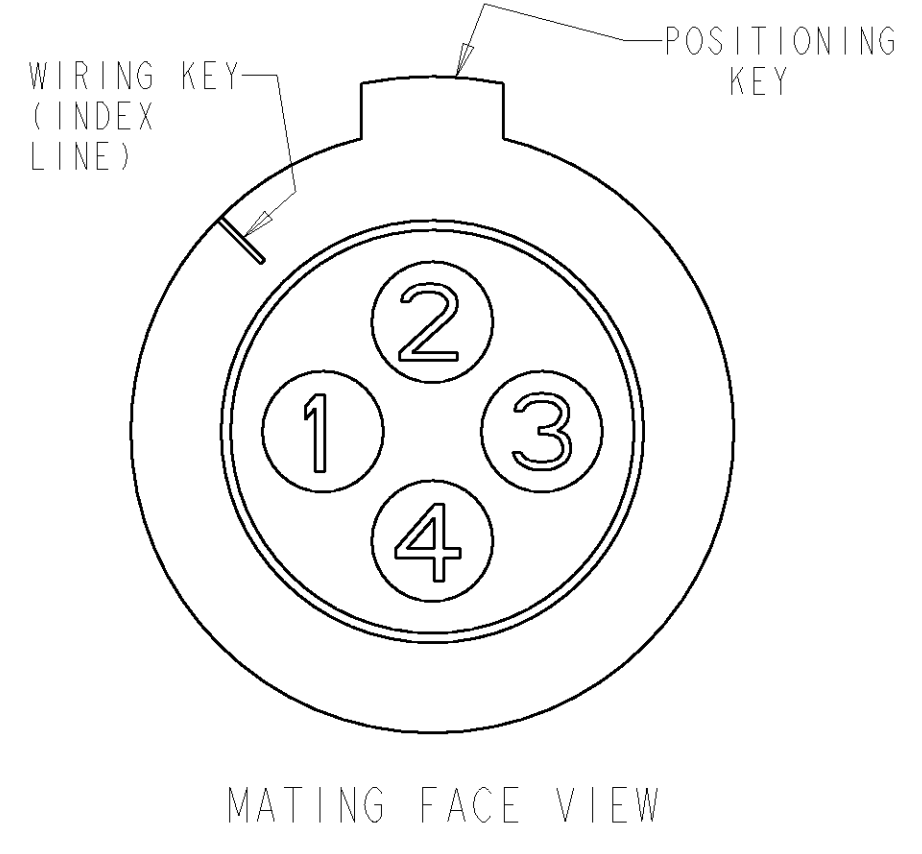
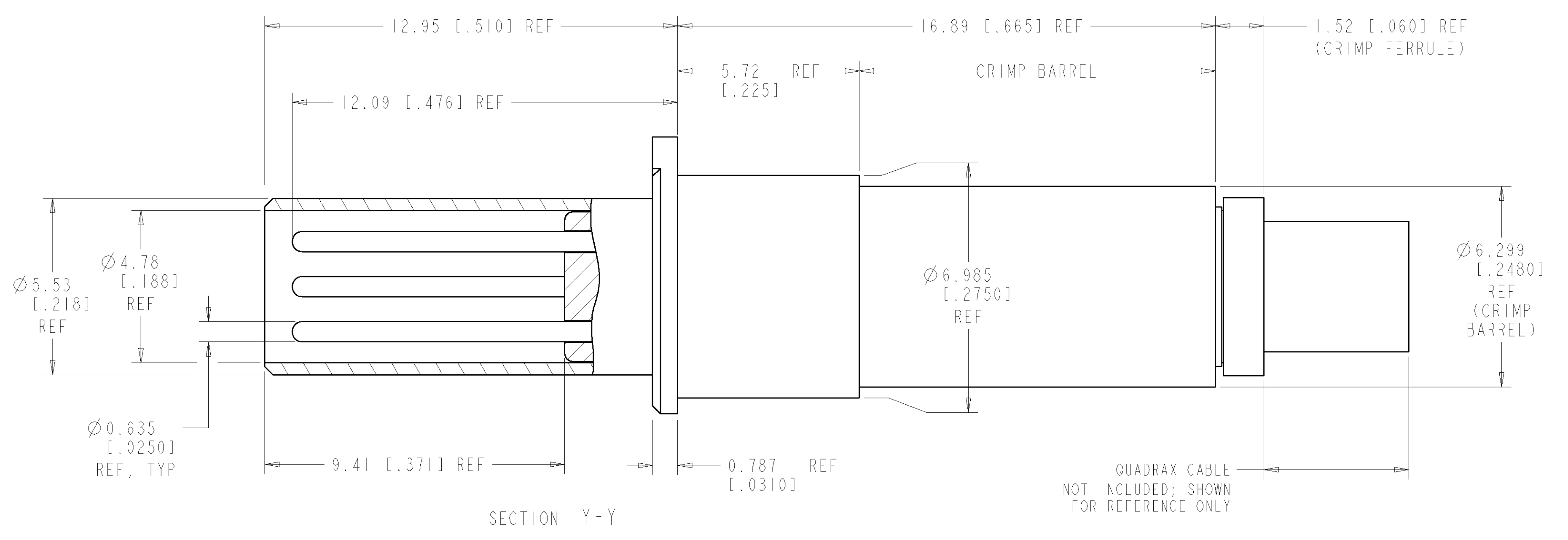
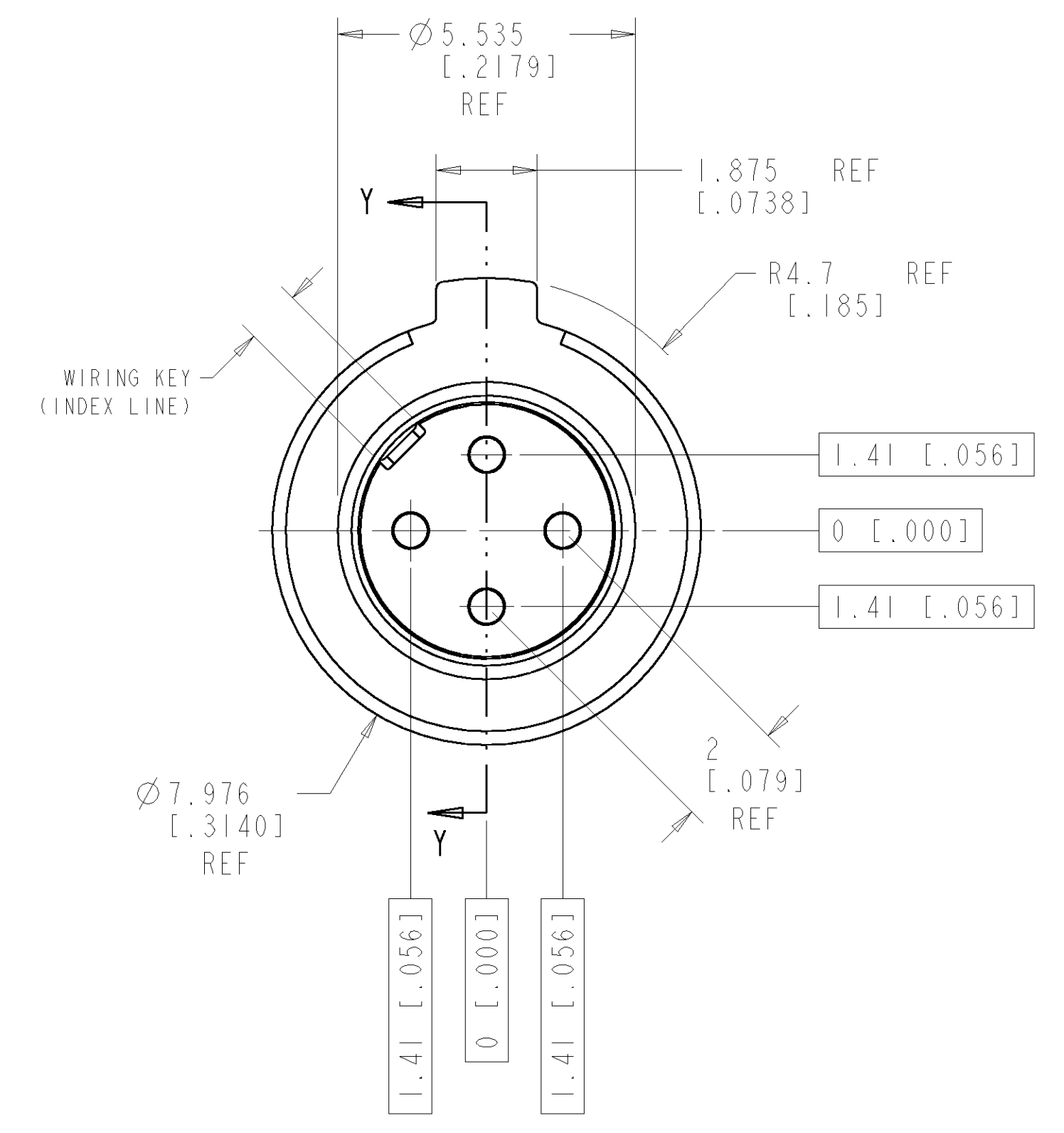
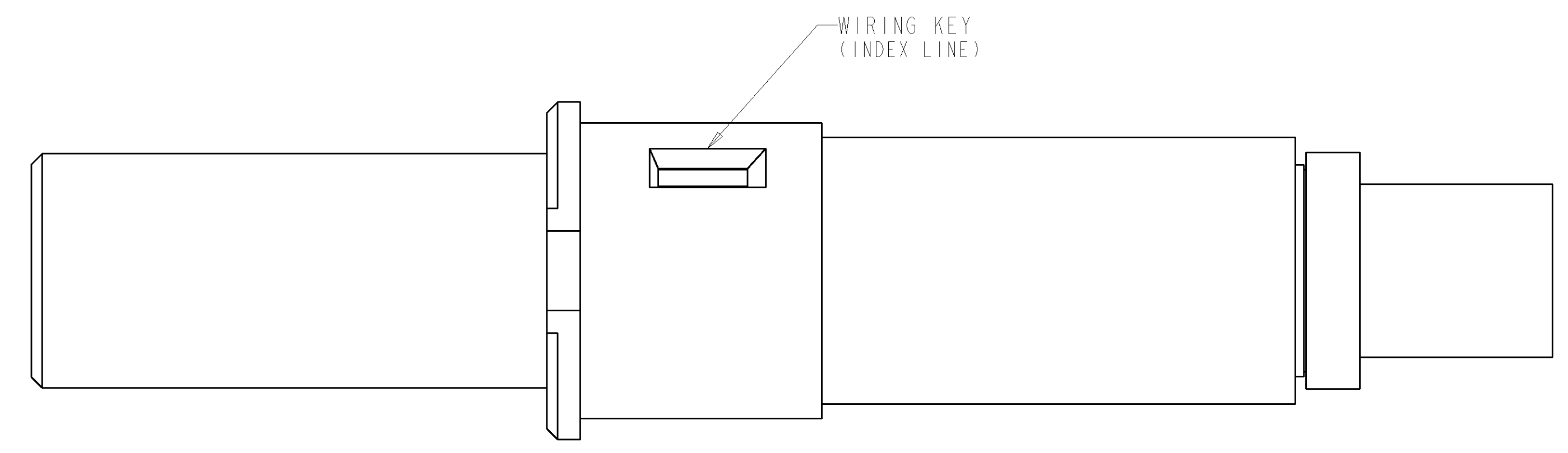
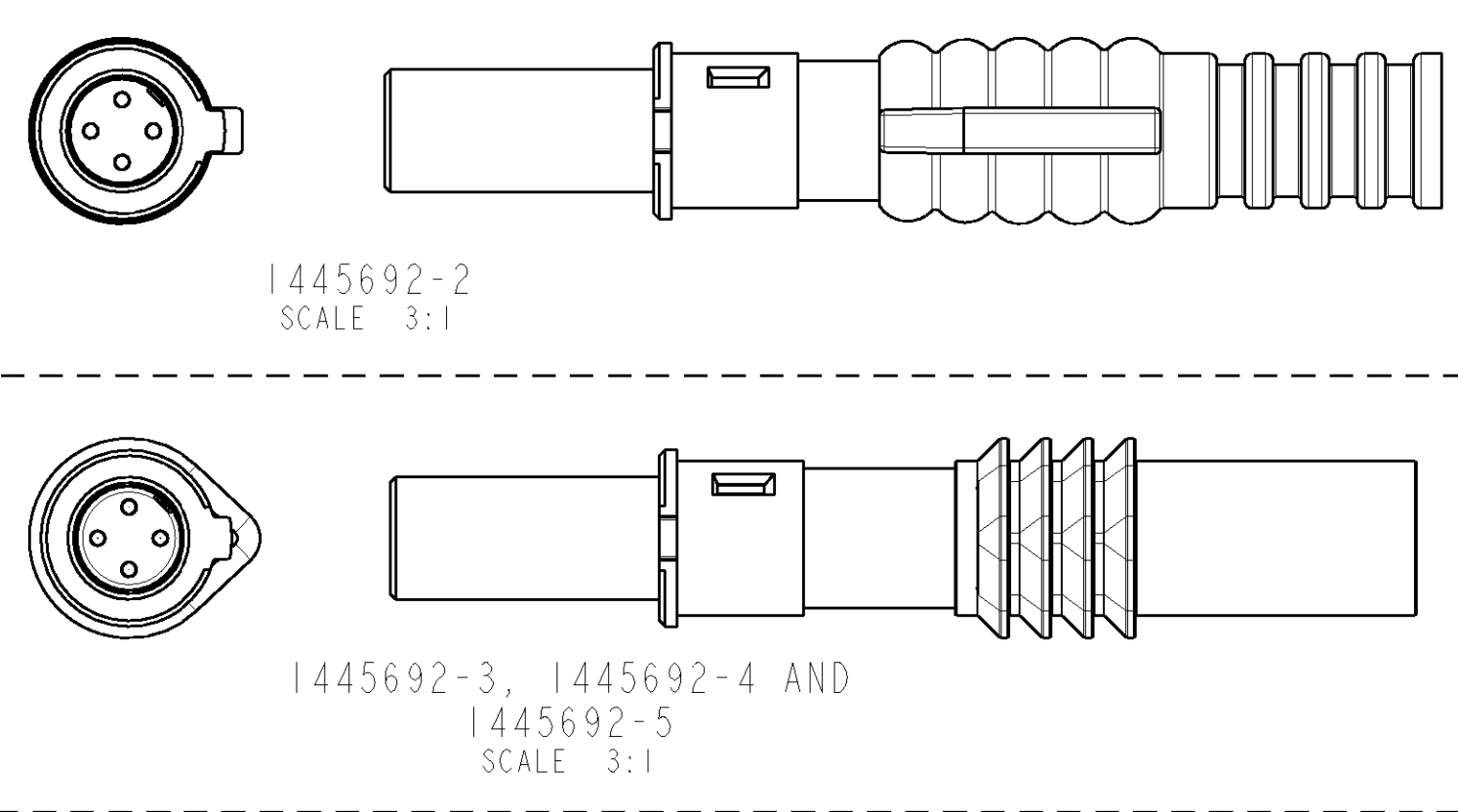


LOC		DIST		REVISIONS			
DF	A5	P	LTR	DESCRIPTION	DATE	DWN	APVD
		H		REV PER ECR 05-18330	23DEC05	BH	RW



CONTACT CAVITY NUMBERING
 STANDARD CAVITY NUMBER ASSIGNMENT



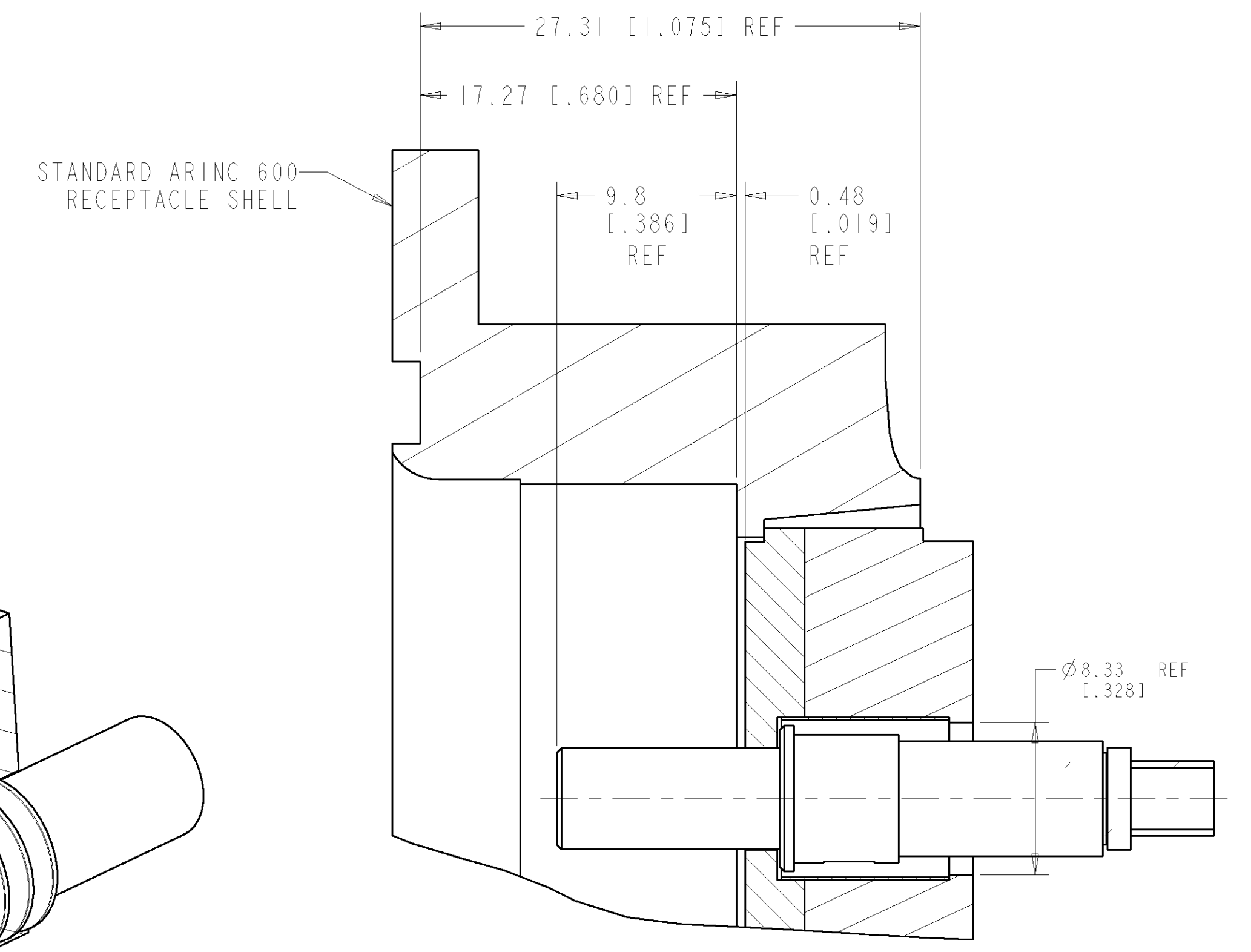
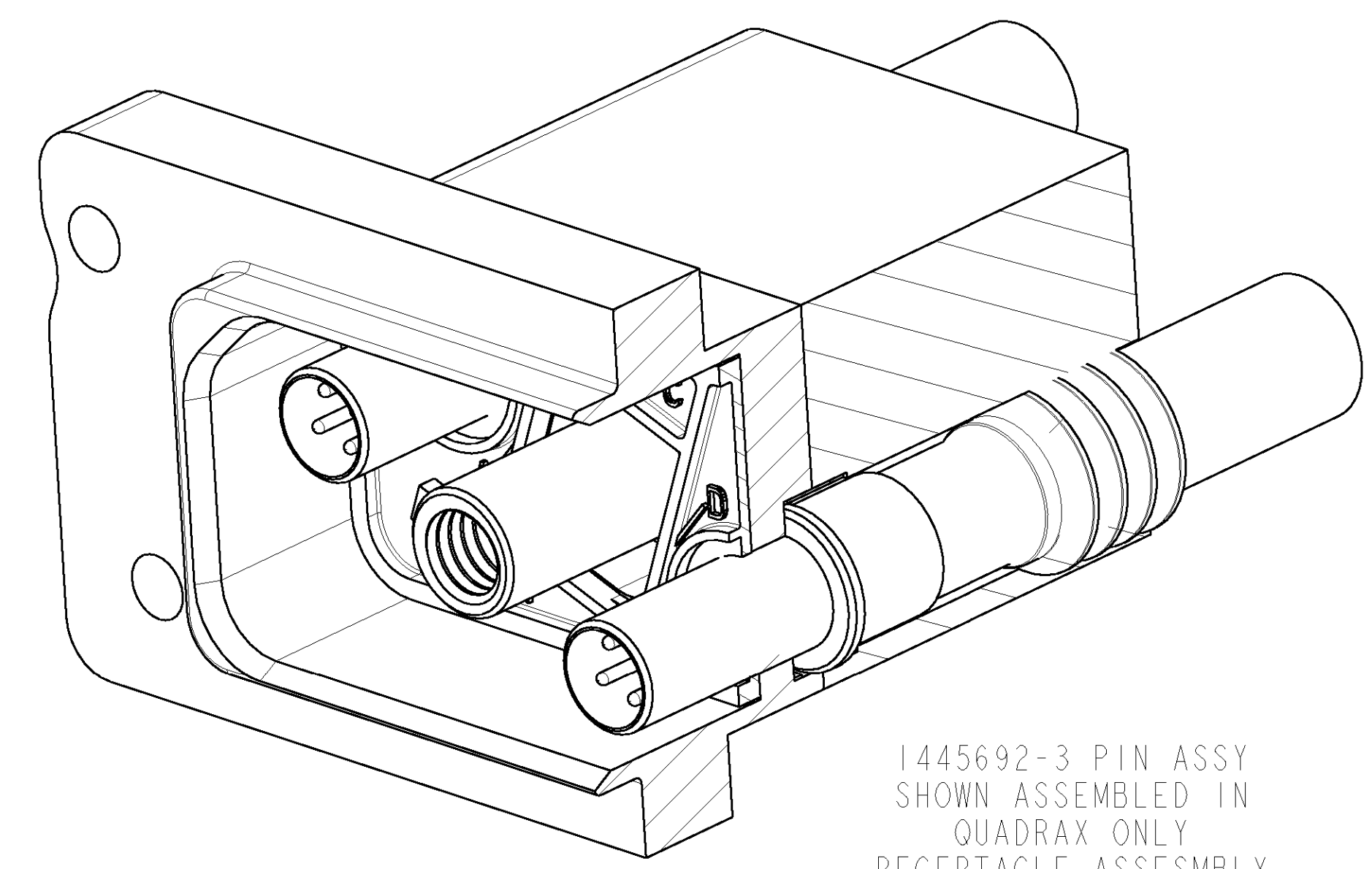
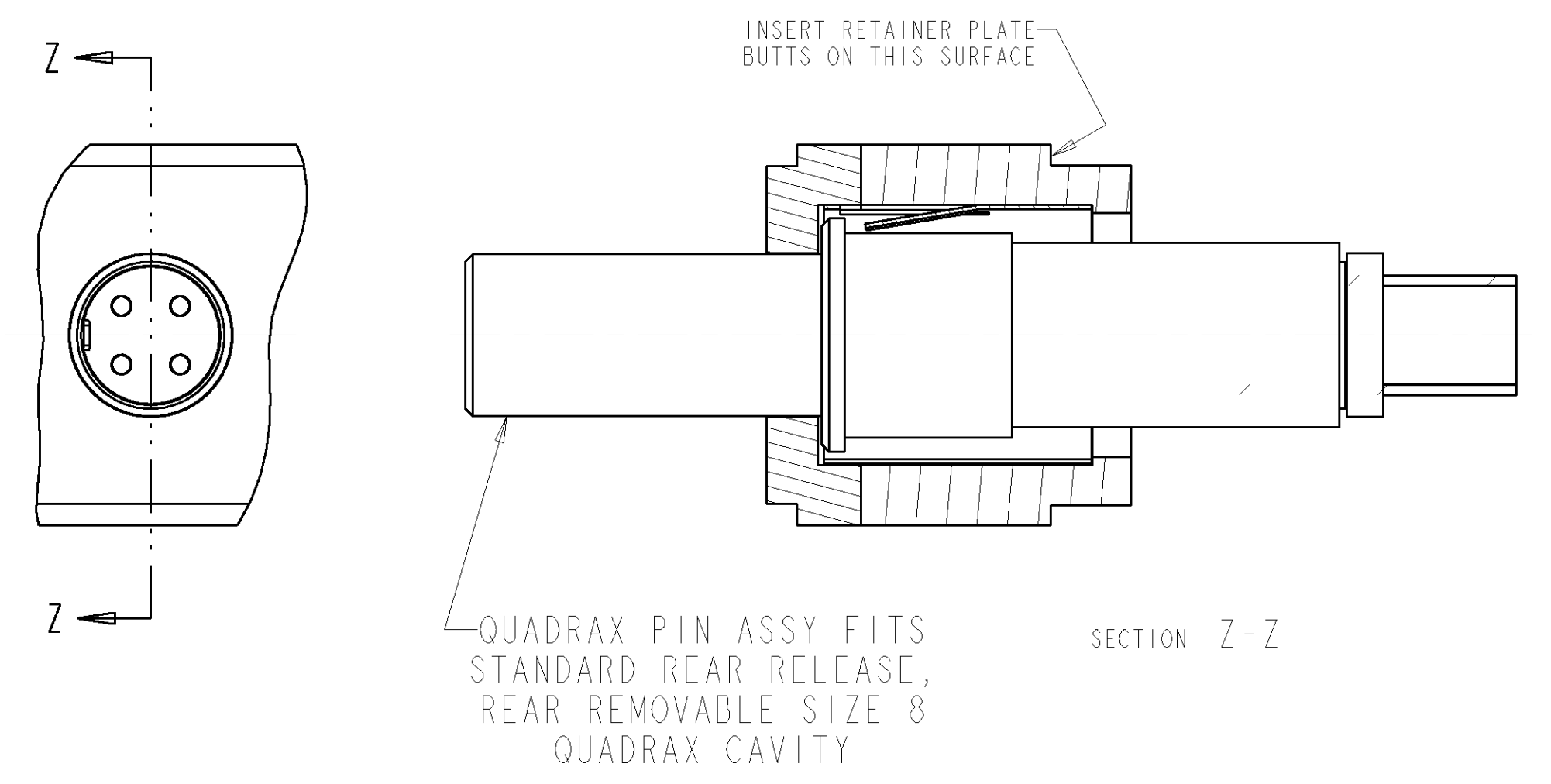
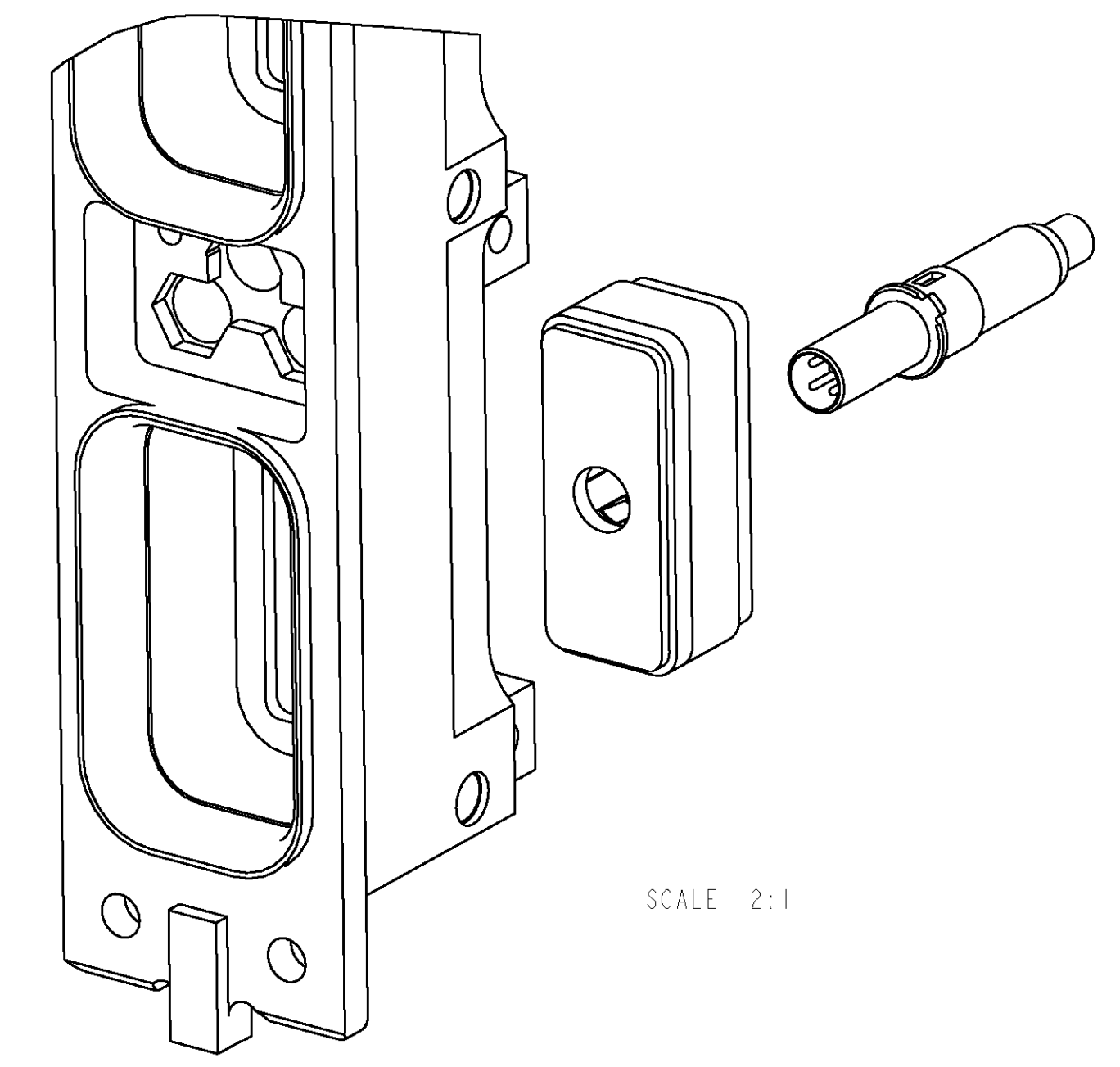
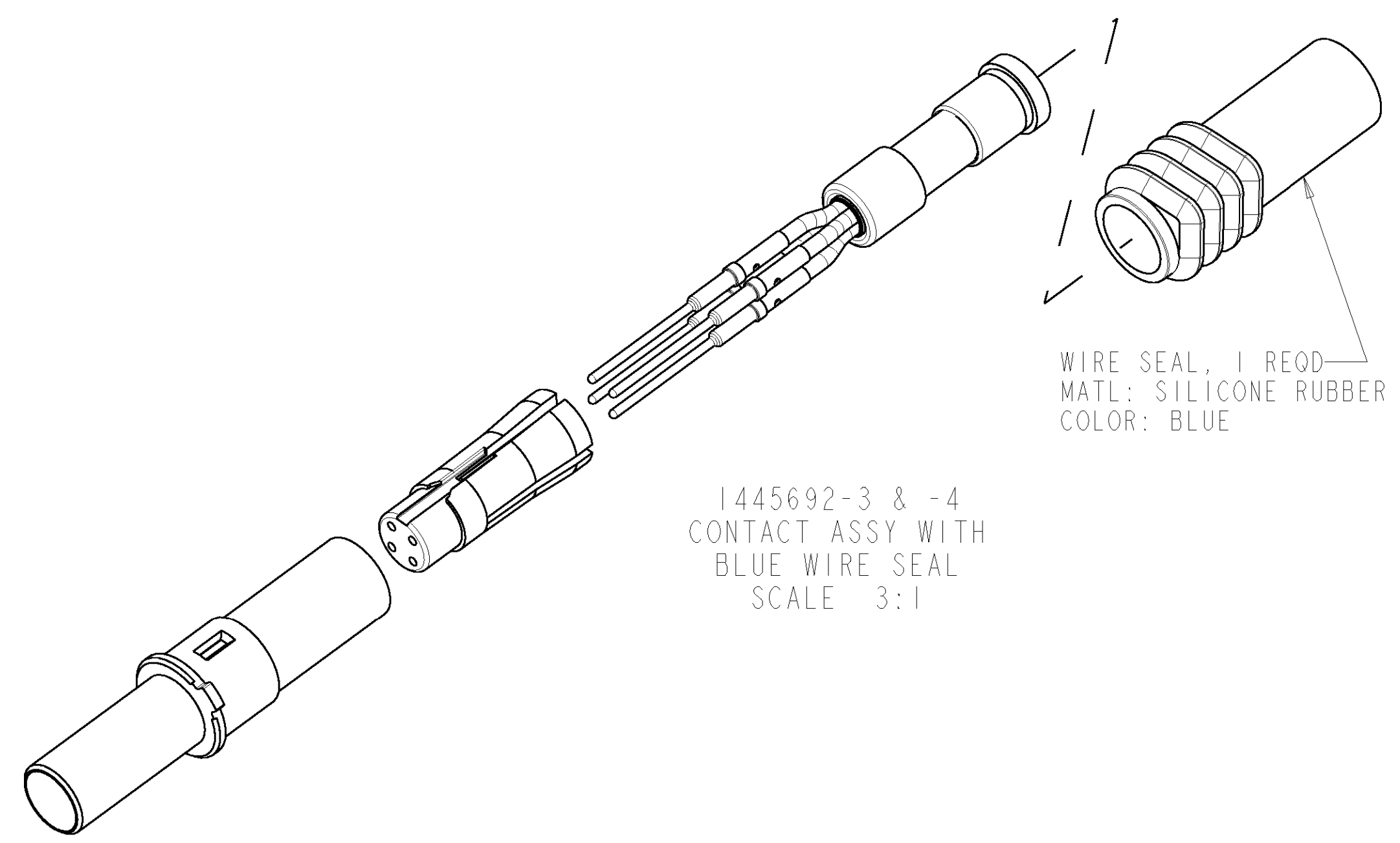
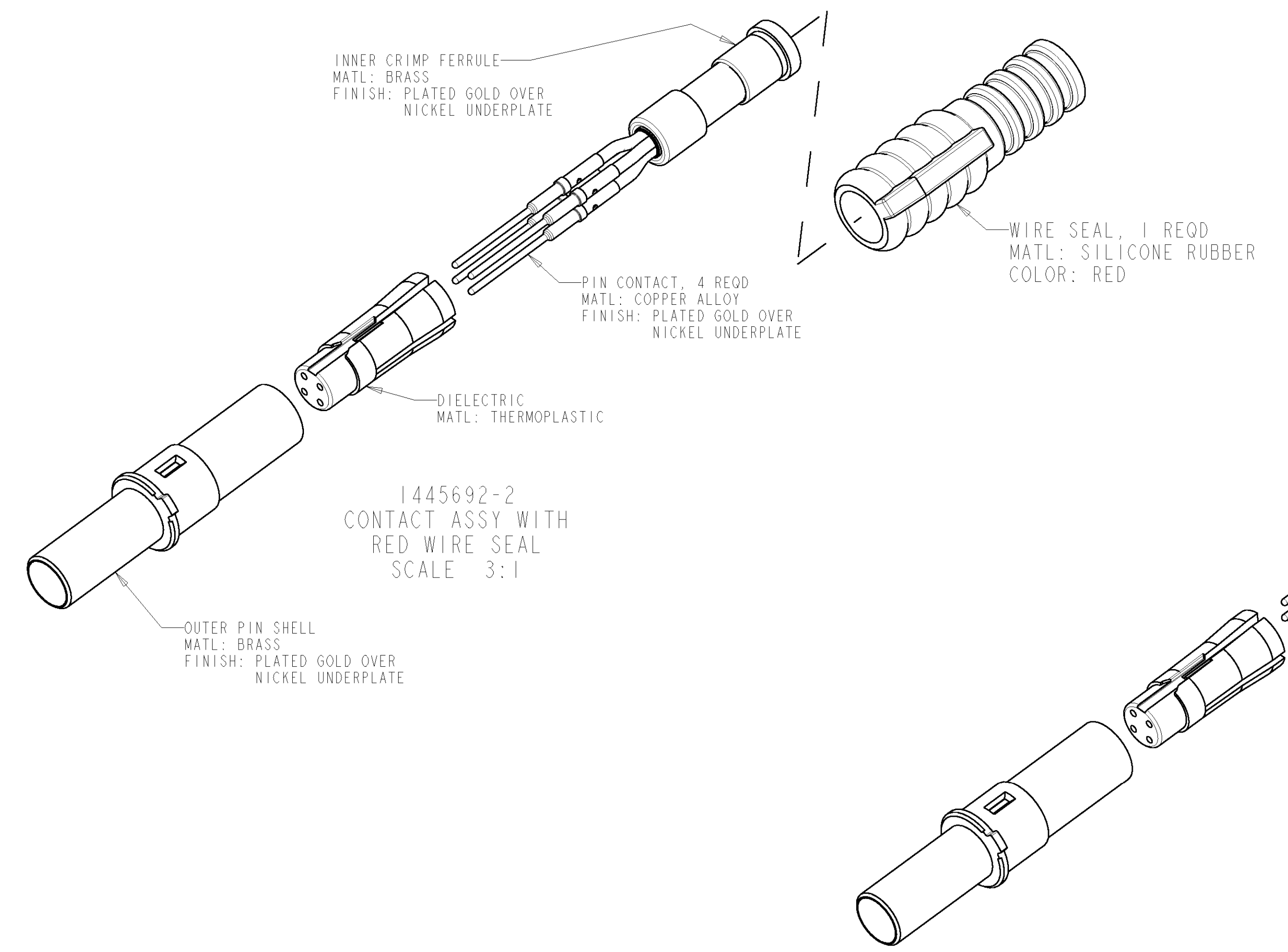
QUADRAX CABLE
 NOT INCLUDED; SHOWN
 FOR REFERENCE ONLY

- COMPONENTS ARE PACKAGED IN KIT FORM. CABLE MUST BE PURCHASED SEPARATELY.
 - ASSEMBLY PER APPLICATION SPECIFICATION 114-13123.
 - USE INSERTION-EXTRACTION TOOL 1738894-1.
- ⚠ TENSOLITE NF24Q100 OR EQUIVALENT
 - ⚠ DRAKA F4704-4 OR EQUIVALENT

RECOMMENDED CABLE	CUSTOMER PART NUMBER	SEAL COLOR	DESCRIPTION	PART NO.
⚠	-	-	AS SHOWN WITHOUT WIRE SEAL	1445692-6
⚠	-	BLUE	AS SHOWN WITH WIRE SEAL	1445692-5
⚠	BACC47GA1	BLUE	SAME AS -1 EXCEPT WITH WIRE SEAL	1445692-4
⚠	---	BLUE	SAME AS -1 EXCEPT WITH WIRE SEAL	1445692-3
⚠	---	RED	SAME AS -1 EXCEPT WITH WIRE SEAL	1445692-2
⚠	---	--	AS SHOWN; WITHOUT WIRE SEAL	1445692-1

DIMENSIONS: mm [INCH]		TOLERANCES UNLESS OTHERWISE SPECIFIED:		DWN: 23 JUNE 2004 BRN: 23 JUNE 2004 ECR: W.H. BERNHART APVD: W.H. BERNHART		tyco Electronics Tyco Electronics Harrisburg, PA 17105-3608	
0 PLC ± 1 PLC ±0.2 [.008] 3 PLC ±0.13 [.005] 4 PLC ± ANGLES ± FINISH ±		± ±0.2 [.008] ±0.13 [.005] ± ±		NAME: ASSEMBLY, PIN, QUADRAX, 2mm SQ, AIRCRAFT DATA NETWORK, RR/RR, WITH PIN CONTACTS		SIZE: A1 CAGE CODE: 00779 DRAWING NO: 1445692	
MATERIAL: -		FINISH: -		WEIGHT: -		RESTRICTED TO: -	
CUSTOMER DRAWING				SCALE: 1:1		SHEET 1 OF 2 REV H	

LOC	DIST	P	LTR	DESCRIPTION	DATE	DWN	APVD
DF	A5			SEE SHEET 1			



QUADRAX PIN ASSY SHOWN INSTALLED IN
 STANDARD ARINC 600, SIZE 1 INSERT
 WITH REAR RELEASE, REAR REMOVABLE
 SIZE 8 QUADRAX CAVITY

DIMENSIONS: mm [INCH]		TOLERANCES UNLESS OTHERWISE SPECIFIED:		DWN: 23 JUNE 2004 BRN: D. 23 JUNE 2004 CHK: W. H. BERNHART APVD: W. H. BERNHART		Tyco Electronics Harrisburg, PA 17105-3608	
0 PLC	±	1 PLC	±0.2 [0.008]	NAME	ASSEMBLY, PIN, QUADRAX, 2mm SO, AIRCRAFT DATA NETWORK, RR/RR, WITH PIN CONTACTS		
1 PLC	±	2 PLC	±0.13 [0.005]	PRODUCT SPEC	-		
3 PLC	±	3 PLC	±0.051 [0.002]	APPLICATION SPEC	-		
4 PLC	±	4 PLC	±	SIZE	CAGE CODE	DRAWING NO.	RESTRICTED TO
FINISH	-	WEIGHT	-	A	00779	1445692	-
MATERIAL	-	CUSTOMER DRAWING	-	SCALE	1:1	SHEET 2 OF 2	REV H